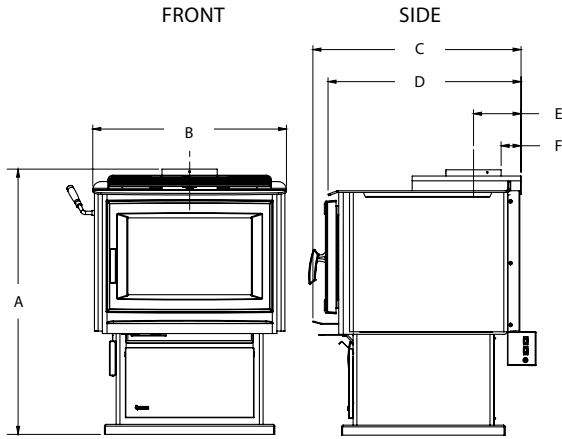


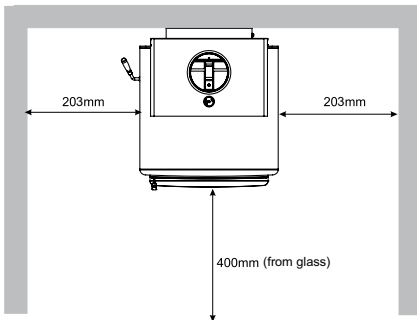
# Specifications

## Dimensions

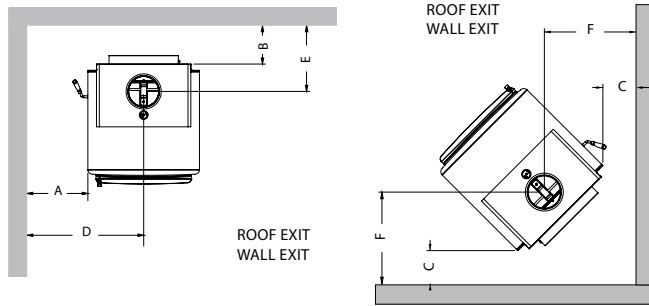


	A	B	C	D	E	F
<b>Richmond</b>	1010mm	737mm	792mm	735mm	181mm	76mm
<b>Kingston</b>	914mm	660mm	710mm	651mm	225mm	86mm

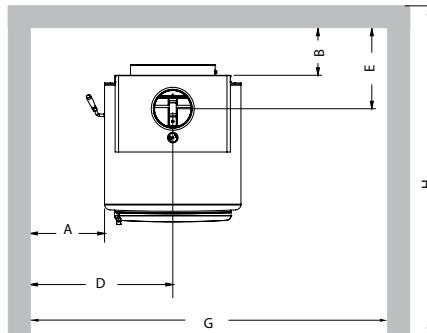
## Floor Protection



## Minimum Clearances to Combustible Materials



Residential clearance with an approved triple skin flue vent	FROM UNIT		FROM CORNER		FROM FLUE CENTER-LINE		MIN. WIDTH & DEPTH OF ALCOVE	
	A	B	C	D	E	F	G	H
Richmond with Airmate or Rear Deflector	305mm	203mm	100mm	674mm	381mm	469mm	1600mm	1219mm
Kingston with Airmate or Rear Deflector	250mm	150mm	100mm	580mm	317mm	419mm	1524mm	1219mm



### Minimum Alcove Clearance to Combustible Materials

The Regency Freestanding models have been alcove approved and must be installed with an approved triple skin flue vent.

Note: Minimum alcove ceiling height - 2108mm Vertical Termination

for your nearest dealer:

[www.regency-fire.com.au](http://www.regency-fire.com.au)  
or call 1 800 081978

### Fireplace Products Australia Pty Ltd.

1 Conquest Way,  
Hallam VIC 3803  
Australia  
Phone 1 800 081 978  
Fax 03 979 97822  
Email: [sales@regency-fire.com.au](mailto:sales@regency-fire.com.au)

### Distributor WA

**Air Group Australia**  
28 Division St.  
Welshpool WA 6106  
**Australia**  
Phone 08 9350 2200

your Regency dealer

These are guidelines only, subject to change without notice. Always refer to the actual product manual that comes with your unit for specific, current dimensions and clearances.

© 2014 FPI Fireplace Products International Ltd. Regency is a registered or proprietary trademarks of FPI Fireplace Products International Ltd. All rights reserved. (03/14) Part no. 944-420